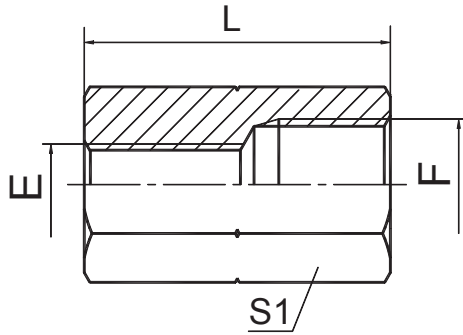


过渡接头 ADAPTER



7B

英管内螺纹 ISO 1179
BSP FEMALE ISO 1179

代号 PART NO.	螺纹 THREAD		尺寸 DIMENSIONS						
	E	F			L	S1			
7B-02	G1/8"X28	G1/8"X28			22	14			
7B-02-04	G1/8"X28	G1/4"X19			24	19			
7B-04	G1/4"X19	G1/4"X19			24	19			
7B-04-06	G1/4"X19	G3/8"X19			29	22			
7B-06	G3/8"X19	G3/8"X19			26	22			
7B-06-08	G3/8"X19	G1/2"X14			33	27			
7B-08	G1/2"X14	G1/2"X14			32	27			
7B-08-10	G1/2"X14	G5/8"X14			36	30			
7B-10	G5/8"X14	G5/8"X14			36	30			
7B-12	G3/4"X14	G3/4"X14			36	32			
7B-12-16	G3/4"X14	G1"X11			43	41			
7B-16	G1"X11	G1"X11			40	41			
7B-16-20	G1"X11	G1.1/4"X11			46	50			
7B-20	G1.1/4"X11	G1.1/4"X11			44	50			
7B-20-24	G1.1/4"X11	G1.1/2"X11			48	55			
7B-24	G1.1/2"X11	G1.1/2"X11			45	55			
7B-24-32	G1.1/2"X11	G2"X11			56	70			
7B-32	G2"X11	G2"X11			54	70			